

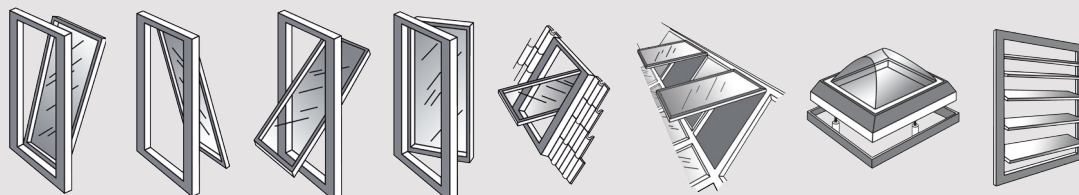
# SELA 50

LINEAR DRIVE ACTUATOR 230V ac 500N



Stroke 200 / 300 / 400 mm

## Applications



### Features:

Highly versatile linear actuator mainly used for sloping vent and roof light natural ventilation applications.

Sliding fixing bracket allows easy installation.

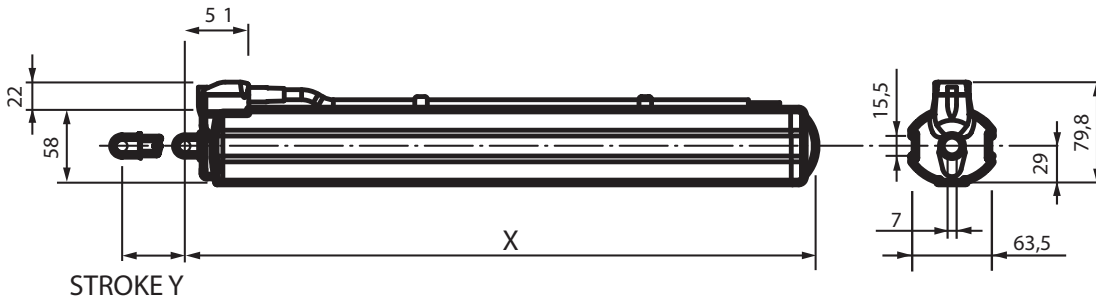


*Standard finish is silver anodised aluminium*

SEC\_4033 08/13

# SELA 50

## Technical Drawing



230V ac  
500N

## Connections

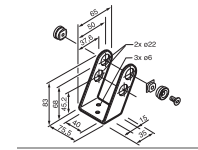
The AutoCAD drawing for this product can be found at [www.secontrols.com](http://www.secontrols.com)

## Technical Data

Stroke Y	X
200mm	308.8mm
300mm	408.8mm
400mm	508.8mm

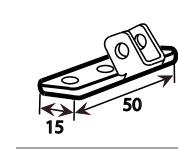
ACTUATOR	SELA 50
TYPE	LINEAR
ACTUATOR TYPE	MOTORISED
VOLTAGE (all +/-6%)	230V ac
AMP DRAW CURRENT (no load)	0.75A
AMP DRAW CURRENT (with load)	0.75A
CONSUMPTION (without load)	175W
CONSUMPTION (with load)	175W
STROKE	200/300/400mm
OPERATING TIME	19mm/s with rated load
AMBIENT OPERATING TEMP.	-10°C + 40°C
THRUST FORCE	500N
CLOSE FORCE	500N
SOFT CLOSE	N/A
SWITCHING	Physical Limit
TYPE OF SWITCH	Micro switch
STANDARD FINISH	Silver Anodised
COLOUR OPTION	N/A
POWER OUT FIXING	N/A
WINDOW MIN HEIGHT	Contact for details
FLEX LENGTH	1200mm
FLEX TYPE	4 core / black PVC 0.75mm
INSULATION CLASS	F
PROTECTION DEGREE	IP55
PRODUCT LIFE	10,000 STROKES
WEIGHT	1.81kg/1.94Kg/2.1Kg
FACE FIX	NO
THROUGH BODY FIX	NO
CLAMP RING	NO
U BRACKET	YES
OPEN IN	NO
USAGE	NATURAL

SELA 50 Pivot Bracket



\*DAM05000124

SELA 24 S Top Bracket



AMM01S69045

These actuators require operation from a 230V ac control unit.

### Recommended Control:

Contact an SE Control sales representative for recommendations.

Product	Operating voltage	Force	Product code	stroke Y
Linear Actuator	230V ac	500N	DAM05000200	200mm
	230V ac	500N	DAM05000300	300mm
	230V ac	500N	DAM05000400	400mm



**Voltage to 230V linear actuators must be switched off after each operation with a rest period required between cycles.**